

## XC3310-SL – 1080p 3in1 STARLIGHT IR Dome Camera



**1080p AHD/TVI/Analog**

**UTC**

**20m IR**

**300m by RG6**

**STARLIGHT**

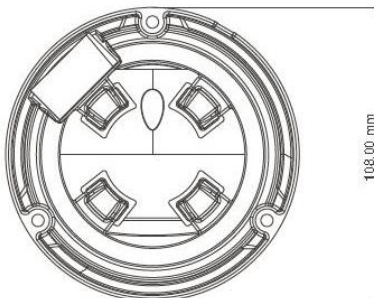
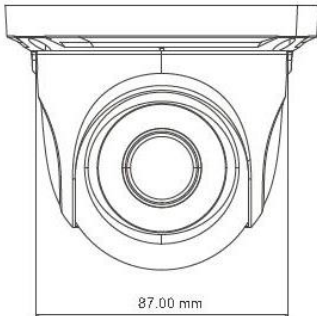
**3DDNR**

**WDR**

### Features

- 2 Megapixel **STARLIGHT** Sensor : 5x sensitivity than normal sensor
- Video output selectable :  
**1080p AHD** or  
**1080p TVI** or  
**700TVL Analog**
- **2.8/3.6mm** Fixed Lens
- 24pcs IR LEDs, 0 Lux up to 20m
- 3D-DNR, **WDR**, DSS, HLM
- TDN (True Day & Night)
- **UTC** OSD control
- **Aluminum Casing, IP66**
- Suitable for Wall / Ceiling Mount

### DIMENSION



### SPECIFICATION

Model	XC3310-SL
Image Sensor	1/2.9" 2MP CMOS Sensor
Resolution	1920x1080 Pixels
Shuttle	1/25s ~ 1/100,000s
Lens	M12 2.8/3.6mm Fixed Lens
Video Output	1080p@25fps AHD/TVI or Analog
Day & Night	Filter Change or True Day&Night (TDN)
Min. Illumination	0 Lux up to 20m
LEDs	24nos $\phi$ 5 850nm IR LEDs
S/N Ratio	>52 DB
Casing	Aluminum with Epoxy Powder Coating
W. Environment	-10° ~ +55°C, Non-Condensing
Power	12VDC, Max. 400mA
Dimension (mm)	87mm( $\phi$ ) x 102mm(H), 350g

\* Specification maybe changed without prior notice