

## CNC-3612M – 5MP Motorized IR IP Dome Camera



5 Mega

H.265+

30m IR

Motorized Zoom

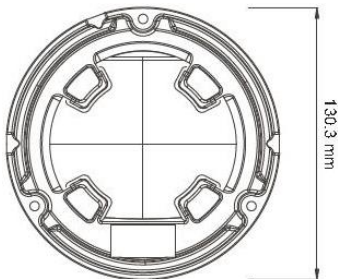
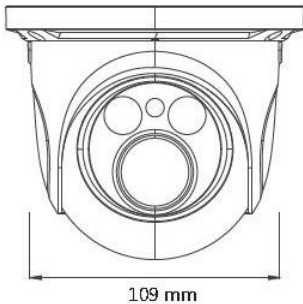
POE

IP66

### Features

- **5 Megapixel** 2592x1944 @20fps
- **H.265+** Compression
- **3.3~12mm Motorized** Zoom Lens
- **Auto Focus**
- DWDR, 3D-DNR, DSS, BLC, HLC, Defog, ROI, 3-stream etc
- 0 Lux up to 30m
- Simultaneous Login : 6 users
- POE / 12VDC Dual Power
- IP66
- 64ch CMS Software

### SPECIFICATION



Model	CNC-3612M
Image Sensor	1/2.7" progressive scan CMOS Sensor
Resolution	2592x1944@20fps 4MP / 3MP / 2MP / 720p @25fps (PAL)
Shuttle	1/25s ~ 1/100,000s
Lens	M14 3.3-12mm Motorized Zoom Auto Focus
Viewing Angle	80°~38°
LEDs	2nos 850nm IR LED Array
Day & Night	Filter Change or TDN (True Day & Night)
Min. Illumination	0 Lux up to 30m (Subject to reflection)
Network	10/100-BaseT, RJ45
Bit Rate	64Kbps ~ 10Mbps
Compression	3-Stream : H.265 / H.264 / MJPEG
Working Environment	-20° ~ +50°C, <90° Humidity (Non-Condensing)
Power	POE IEEE 802.3af compliant/12VDC, < 10W
Dimension	130mm(φ) x 109mm(H), 690g