

CNC435S20 – 2.0M 20X Indoor IP Speedome



2.0 Mega

20X

3D-DNR

Dual Stream

TDN

ONVIF

Speedome Function

- 3D Positioning
- Power-Off Memory
- Scheduled PTZ movement
- Park action

Features

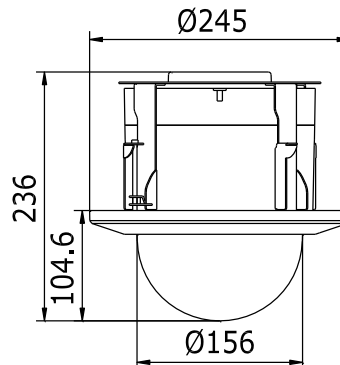
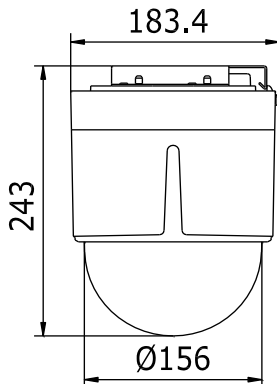
Camera

- 2.0 Megapixel 1920x1080 @25fps
- H.264 High Profile
- 20x Optical Zoom
- Auto-Iris, Auto-Focus
- 3D-DNR, Dual Stream
- Day & Night by Filter Change
- 0.05 Lux Color
- ONVIF compatible
- Web-server

Hardware

- Indoor Surface / Recessed Ceiling Mount
- 360° Continuous Pan
- Max 300°/s Pan Preset Speed
- Max 200°/s Tilt Preset Speed
- 1~250°/s Manual Pan Speed
- 1~150°/s Manual Tilt Speed
- 256 Programmable Presets
- 8 Tour (up to 32 presets each)
- μ SD card local storage up to 32GB
- 1 Audio In, 1 Audio Out

Dimension



4000-Series IP Camera



SPECIFICATION

	Model	CNC435S20
Camera	Image Sensor	1/2.8" progressive scan CMOS Sensor
	Effective Pixels	2230K Pixels
	Min. Illumination	0.05Lux Color / 0.01Lux BW (F1.6, AGC On)
	S/N Ratio	> 50dB
	Shuttle	1/25 ~ 1/100,100 @50Hz
	Day & Night	Filter Change or TDN (True Day & Night)
	Lens	Focal Length
Aperture		F1.6 ~ F3.5
Mechanism		Pan Speed
	Tilt Speed	1~150°/s Manual, 200°/s Preset
	Presets	256
	Tour	8 Tour (Each with max. 32 Presets)
	Park Action	Tour, Scan
	Audio	Audio In
Audio Out		1 Line Out
Network	Ethernet	10/100 Base-T, RS45 connector
	Max. Frame Rate	25fps @1920x1080 or 1280x720
	Audio Compression	G.711ulaw / G.711alaw / G.726
	Simultaneous Log-in	6
	Dual Stream	Support
	SD Storage	Manual / Alarm Rec, up to 32GB
	User/Host Level	Up to 32 Users, 3 Levels (Admin, Control, View)
	General	Working Environment
Protection		IP66, 4KV surge protection
Power		24VAC, Max. 22W (Heater On) / 12W (Heater Off)
Dimension		Φ184x243 (Surface) / Φ245x236 (Recessed), 3kg

* Specification maybe changed without prior notice