

## CNC435W25IR – 2.0M 25X 100m IR IP Speedome



**2MP** **25X**

**Audio** **uSD** **100m IR**

**3-Stream** **IP66** **ONVIF** **PoE**

### Speedome Function

- 3D Positioning
- Power-Off Memory
- Scheduled PTZ movement
- Park action
- Privacy Mask

### Features

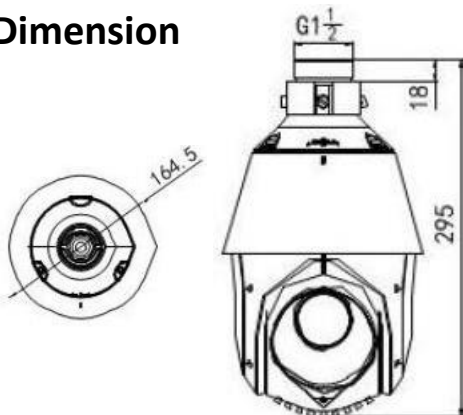
#### Camera

- **2.0 Megapixel 1920x1080 @25fps**
- **H.265+** Compression
- **25x** Optical / 16X Digital Zoom
- Auto-Iris, Auto-Focus
- **120dB WDR**
- 3D-DNR, Defog, HLC, BLC, TDN
- IR Range up to 100m
- IR Intensity automatic adjust depend on zoom ratio
- 8 Privacy Mask
- Web-server

#### Hardware

- Weatherproof IP66
- 360° Continuous Pan
- 0.1~80°/s Pan Speed
- 0.1~80°/s Tilt Speed
- 300 Programmable Presets
- 8 Tour (up to 32 presets each)
- 1 Audio In / 1 Audio Out
- $\mu$ SD card storage up to 128GB
- 12VDC/POE+

### Dimension



### Accessories (Option)



Wall Mount



Pole Mount



Corner Mount



Wall Mount (with Termination Box)

# 4000-Series IP Camera



## SPECIFICATION

	Model	CNC-425W20IR
Camera	Image Sensor	½.8" progressive scan CMOS Sensor
	Effective Pixels	1920x1080 (2230K)
	Min. Illumination	0.05Lux Color / 0.01Lux BW (IR Off)
	S/N Ratio	> 52dB
	Shuttle	1/25 ~ 1/10,100 @50Hz
	Day & Night	Filter Change or TDN (True Day & Night)
Lens	Focal Length	20X (4.8~120mm)
	Angle of View	57~2.5degree
	Aperture	F1.6 ~ F3.5
Mechanism	Pan Speed	0.1~80°/s Manual, 80°/s Preset
	Tilt Speed	0.1~80°/s Manual, 80°/s Preset
	Presets	300
	Tour	8 Tour (Each with max. 32 Presets)
	Park Action	Tour / Scan / Preset
	Schedule Task	Auto Scan / Tour / Preset
Network	Ethernet	10/100 Base-T, RJ45 connector
	Max. Frame Rate	25fps @1920x1080 or 1280x720
	Audio Compression	G.711ulaw / G.711alaw / G.726
	Simultaneous Log-in	20
	3-Stream	Support
	SD Storage	Manual / Alarm Rec, up to 128GB
	User Control Level	Up to 32 Users, 3 Level (Admin, Control, View)
General	Working Environment	-30° ~ +65°C, <90° Humidity (Non-Condensing)
	Protection	IP66, 4KV surge protection
	Power	12VDC/POE(802.3at), Max. 20W (IR On)
	Dimension	165mm(φ) x 295mm(H), 2kg

\* Specification maybe changed without prior notice