

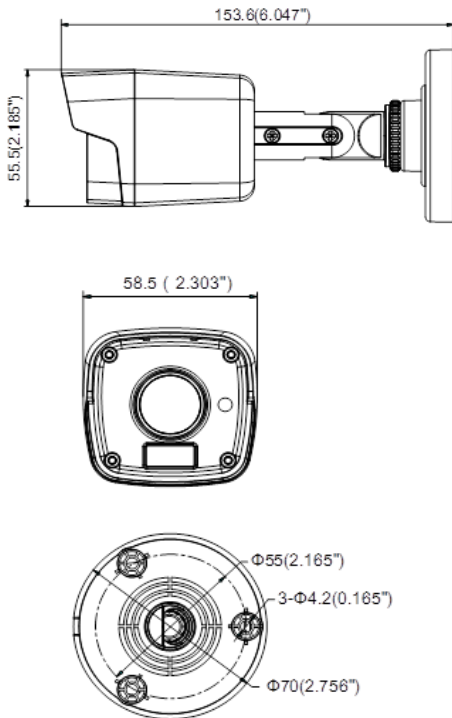
TC4332 – 1080p TVI WDR IR Camera



Features

- 2 Megapixel CMOS Sensor
- 1080p TVI output
- 300m cable distance by RG6
- 3.6 / 6mm Fixed Lens
- 3D-DNR
- SMART-IR
- TDN (True Day & Night) or Filter Change
- **LED Array**, 0 Lux up to 20m
- **120dB True WDR**
- **UTC OSD**
- Weatherproof IP66
- Wall/Ceiling Bracket Included

DIMENSION



SPECIFICATION

Model	TC4332
Image Sensor	2MP CMOS Sensor
Resolution	1080p, 1920x1080 Pixels
Shuttle	1/25s ~ 1/50,000s
Lens	M12 3.6 or 6mm Fixed Lens
Video Output	1080p@25fps TVI
Day & Night	Filter Change or True Day&Night (TDN)
Minimum Illumination	0 Lux up to 20m
LEDs	850nm IR LED Array
S/N Ratio	>62 DB
Casing	Aluminum with Epoxy Powder Coating
Working Environment	-40° ~ +60°C, Non-Condensing
Power	12VDC, Max. 420mA
Dimension (mm)	58.5(W) x 55.5(H) x 154(L), 370g

* Specification maybe changed without prior notice