

CNC448W20IR – 3MP 20X IP IR PTZ



Features

Camera

- **3.0 Megapixel 2048x1536 @25fps**
- H.264 High Profile
- **20x** Optical, 16x Digital Zoom
- 0.05 Lux Color / 0.01 Lux BW
- **100m IR** Range
- Auto-Iris, Auto-Focus, TDN
- 3D-DNR, Tri-Stream, **120dB WDR**
- HLC/BLC, Defog, Smart-IR, ROI

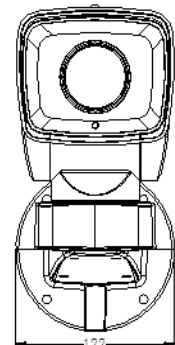
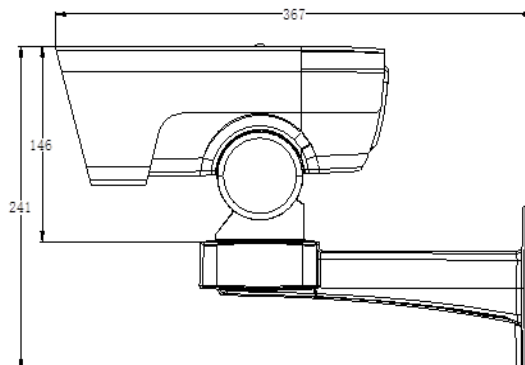
Hardware

- Weatherproof IP66
- 360° Continuous Pan, -20°~30° Tilt
- Max 60°/s Pan Preset Speed
- Max 30°/s Tilt Preset Speed
- 300 Programmable Presets
- 8 Tour, 4 Pattern (up to 10min)
- User Log-in : 20
- µSD card local storage up to 128GB
- 1 Audio in, 1 Audio out
- 1 Alarm in, 1 Alarm out
- Hi-POE or 24VAC
- Lightning Surge Protection
- SMART – Line Crossing, Intrusion Detection

Speedome Function

- 3D Positioning
- Power-Off Memory
- Scheduled PTZ movement
- Park action
- Privacy Mask

Dimension



4000-Series IP Camera



SPECIFICATION

	Model	CNC448W20IR
Camera	Image Sensor	½.8" progressive scan CMOS Sensor
	Max. Resolution	3MP : 2048x1536 @25fps (PAL)
	Min. Illumination	0.05 Lux Color / 0.01 Lux BW (F1.6, AGC On)
	S/N Ratio	> 55dB
	Shuttle	1/25 ~ 1/10,000 @50Hz
	Day & Night	Filter Change or TDN (True Day & Night)
	Privacy Mask	8
Lens	Focal Length	20X (4.7~94mm)
	Aperture	F1.6 ~ F5.0
Mechanism	Pan Speed	0.1~60°/s
	Tilt Speed	0.1~30°/s
	Presets	300
	Tour	8 Tour (Each with max. 32 Presets)
	Park / Schedule Action	Preset, Scan, Tour
In/Out	Audio	1 Mic. In, 1 Line Out
	Alarm	1 Alarm In, 1 Alarm Out
Network	Ethernet	10/100 Base-T, RJ45 connector
	Audio Compression	G.711ulaw / G.711alaw / G.726
	Simultaneous Log-in	20 users
	Tri-Stream	Support
	SD Storage	Manual / Alarm Rec, up to 128GB
	User Control Level	Up to 32 Users, 3 Level (Admin, Control, View)
General	Working Environment	-30° ~ +65°C, <90° Humidity (Non-Condensing)
	Protection	IP66, 4KV surge protection
	Power	POE+ / 24VAC, Max. 19W
	Dimension	122mm(W) x 241mm(H) x 367mm(L), 3kg

* Specification maybe changed without prior notice