

CNC335W16IR – 2.0M 16X 50m IR IP Speedome



Features

Camera

- **2 Megapixel** 1920x1080 @25fps
- **H.265+** Compression
- **16x** Optical Zoom
- Auto-Iris, Auto-Focus
- 3D-DNR, Dual Stream
- Day & Night by Filter Change
- IR Range up to 50m
- Web-server
- ONVIF compatible

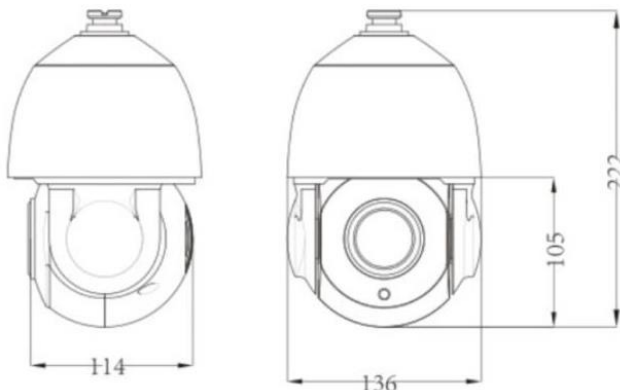
Hardware

- Weatherproof IP66
- 360° Continuous Pan
- Max 120°/s Pan Preset Speed
- Max 50°/s Tilt Preset Speed
- 0.1~70°/s Manual Pan Speed
- 0.150°/s Manual Tilt Speed
- 360 Programmable Presets
- 8 Cruise (up to 16 presets each)
- 4 Tracks (up to 3min each)
- μ SD card storage up to 128GB
- 1 Audio In, 1 Audio Out

Speedome Function

- 3D Positioning
- Power-Off Memory
- Scheduled PTZ movement
- Home action
- Privacy Mask

Dimension



Accessories



Wall Mount

4000-Series IP Camera



SPECIFICATION

	Model	CNC345W20IR
Camera	Image Sensor	1/2.8" progressive scan CMOS Sensor
	Effective Pixels	1920x1080
	Min. Illumination	0.05Lux Color / 0.005Lux BW (F1.6, AGC On)
	S/N Ratio	> 50dB
	Shuttle	1/25 ~ 1/100,100 @50Hz
	Day & Night	Filter Change or TDN (True Day & Night)
Lens	Focal Length	16X (5.5~88mm)
	Aperture	F1.6 ~ F3.5
Mechanism	Pan Speed	0.5~70°/s Manual, Max. 120°/s Preset
	Tilt Speed	0.5~50°/s Manual, Max. 50°/s Preset
	Presets	360
	Tour	8 Cruise (Each with max. 16 Presets)
	Park Action	Cruise, Scan, Tracks, Preset
In/Out	Audio In	1 Line In
	Audio Out	1 Line Out
Network	Ethernet	10/100 Base-T, RJ45 connector
	Max. Frame Rate	25fps @1920x1080
	Audio Compression	G.711ulaw / G.711alaw / G.726
	Simultaneous Log-in	10
	3-Stream	Support
	SD Storage	Manual / Alarm Rec, up to 128GB
	User Control Level	Up to 10 Users, 3 Level (Admin, Control, View)
General	Working Environment	-30° ~ +60°C, <90° Humidity (Non-Condensing)
	Protection	IP66, 6KV surge protection
	Power	12VDC, Max. 30W (Heater On) / 15W (Heater Off)
	Dimension	209mm(φ) x 222mm(H), 2.6kg

* Specification maybe changed without prior notice