

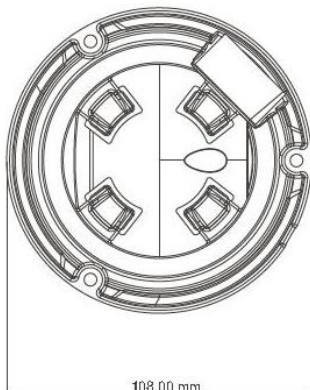
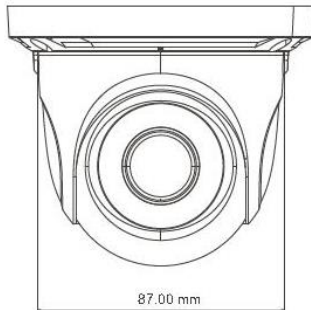
CNC3310-SL – 2M STARLIGHT IR IP Dome Camera



Features

- 2 Megapixel 1920x1080 @25fps
- **H.264+** Compression
- ONVIF compatible
- **2.8 / 3.6mm** Fixed Lens
- **STARLIGHT** 0.003LUX w/o LED
- 3D-DNR, **WDR** etc
- 3 ROI, 3-Stream
- Day&Night by Filter Change
- 2nos LED Array, 0 Lux up to 20m
- Network 10/100 Base-T
- Aluminum Casing with Epoxy
- IP66
- POE / 12VC Dual Power

SPECIFICATION



Model	CNC3310-SL
Image Sensor	1/2.8" progressive scan CMOS Sensor
Resolution	1920x1080 @25fps (PAL)
Shuttle	1/25s ~ 1/100,000s
Lens	M12 2.8 / 3.6mm Fixed Lens
LEDs	2nos 850nm IR LED Array
Day & Night	Filter Change or TDN (True Day & Night)
Min. Illumination	0 Lux up to 20m
Network	10/100-BaseT, RJ45
Bit Rate	256Kbps ~ 5Mbps
Compression	3-Stream : H.266 High Profile / MJPEG
W. Environment	-20° ~+50°C, <90° Humidity (Non-Condensing)
Power	POE IEEE 802.3af compliant/12VDC, Max. 4W
Dimension	87mm(φ) x 108mm(H), 370g

* Specification maybe changed without prior notice