

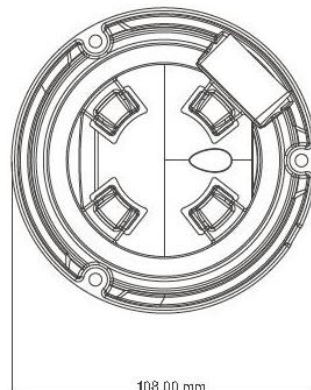
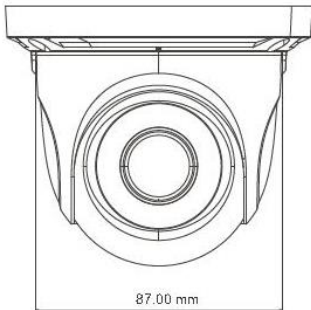
## CNC3511 – 4M WDR POE IR IP Dome Camera



### Features

- 4 Megapixel 2688x1520 @20fps
- **H.265+** Compression
- ONVIF compatible
- 3.6mm Fixed Lens
- 3D-DNR, **WDR**, DSS etc
- 8x ROI
- 3-Stream
- Day&Night by Filter Change
- 2x LED Array
- 0 Lux up to 15m
- Network 10/100 Base-T
- POE / 12VC Dual Power
- Vandal Resistant

### SPECIFICATION



Model	CNC3511
Image Sensor	1/2.7" progressive scan CMOS Sensor
Resolution	4MP 2688x1520 @20fps (PAL)
Shuttle	1/25s ~ 1/100,000s
Lens	M12 3.6mm Fixed Lens
LEDs	2nos 850nm IR LED Array
Day & Night	Filter Change or TDN (True Day & Night)
Min. Illumination	0 Lux up to 15m
Network	10/100-BaseT, RJ45
Bit Rate	128Kbps ~ 6Mbps
Compression	3-Stream : H.264 High Profile / MJPEG
Working Environment	-20° ~ +50°C, <90° Humidity (Non-Condensing)
Power	POE IEEE 802.3af compliant/12VDC, Max. 5W
Dimension	87mm(φ) x 108mm(H), 430g

\* Specification maybe changed without prior notice