

CNC-3311 – 2M IR IP Dome Camera



2 Mega

H.265+

POE

15m IR

ROI

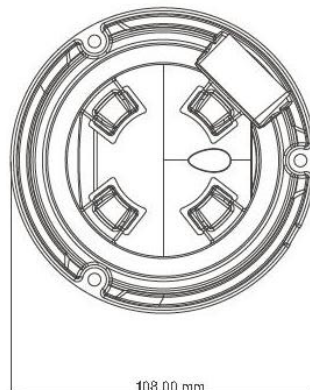
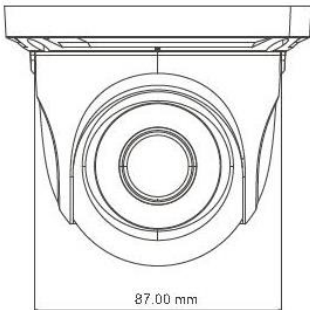
3-Stream

ONVIF

Features

- 2 Megapixel 1920x1080 @25fps
- **H.265+** Compression
- ONVIF compatible
- **2.8 / 3.6mm** Fixed Lens
- 3D-DNR, DWDR etc
- 3 ROI
- 3-Stream
- Day&Night by Filter Change
- 2nos LED Array, 0 Lux up to 15m
- Network 10/100 Base-T
- Aluminum Casing with Epoxy
- IP66
- POE / 12VC Dual Power

SPECIFICATION



| Model | CNC-3311 |
|---------------------|---|
| Image Sensor | 1/2.8" progressive scan CMOS Sensor |
| Resolution | 1920x1080 @25fps (PAL) |
| Shuttle | 1/25s ~ 1/100,000s |
| Lens | M12 2.8/3.6mm Fixed Lens |
| LEDs | 2nos 850nm IR LED Array |
| Day & Night | Filter Change or TDN (True Day & Night) |
| Min. Illumination | 0 Lux up to 15m |
| Network | 10/100-BaseT, RJ45 |
| Bit Rate | 256Kbps ~ 5Mbps |
| Compression | 3-Stream : H.265+ / H.264+ / MJPEG |
| Working Environment | -20° ~+50°C, <90° Humidity (Non-Condensing) |
| Power | POE IEEE 802.3af compliant/12VDC, Max. 4W |
| Dimension | 87mm(φ) x 108mm(H), 370g |