

CNC-3312-B – 2M Entry Level STARLIGHT IR IP Dome Camera



2 Mega

H.265+

STARLIGHT

μSD

IP67

20m IR

Build-in Mic

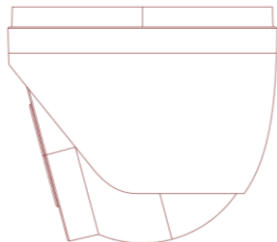
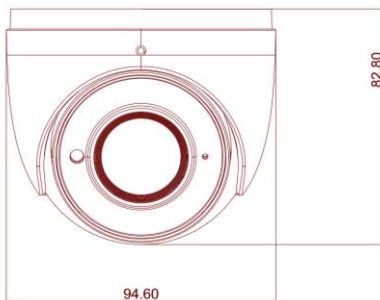
POE

ONVIF

Features

- 2 Megapixel 1920x1080 @25fps
- **H.265+** Compression
- ONVIF compatible
- **3.6mm** Fixed Lens
- **STARLIGHT** 0.006LUX w/o LED
- 3D-DNR, DWDR, HLC, BLC, ROI, Dual Stream
- 2nos LED Array, 0 Lux up to 20m
- Aluminum Casing with Epoxy
- IP67, Support μSD up to 128GB
- POE / 12VC Dual Power
- Smart functions : **Area Intrusion, Line Crossing, Object Monitoring**

SPECIFICATION



Model	CNC-3312-B
Image Sensor	1/2.8" progressive scan CMOS Sensor
Resolution	1920x1080 @25fps (PAL)
Shuttle	1/25s ~ 1/100,000s
Lens	M12 3.6mm Fixed Lens
LEDs	850nm IR LED Array
Day & Night	Filter Change or TDN (True Day & Night)
Min. Illumination	0 Lux up to 20m
Network	10/100-BaseT, RJ45
Bit Rate	256Kbps ~ 5Mbps
Compression	2-Stream : H.265+ / H.264+ / MJPEG
W. Environment	-30° ~ +60°C, <90° Humidity (Non-Condensing)
Power	POE IEEE 802.3af/12VDC, < 6W
Dimension	φ94.6 x 82.8mm(H), 0.39kg