

XC-2381 – 1080p 4in1 Pinhole Camera



1080p 4in1

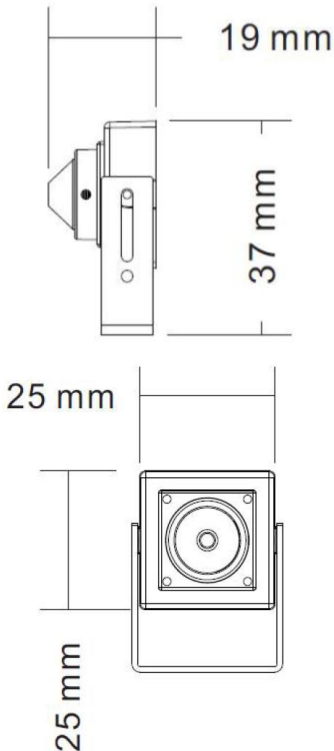
Pinhole

UTC

FEATURES :

- 2 Megapixel Sensor
- Video output selectable :
1080p AHD or **TVI** or **CVI**
700TVL Analog
- **3.7mm Pinhole Fixed** Lens
- 3D-DNR, DWDR, DSS etc
- TDN (True Day & Night)
- **UTC** OSD control
- Aluminum Casing
- Compact, light weight & easy installation
- Suitable for Desk / Ceiling Mount
- Best performance <300m by RG6

DIMENSION



SPECIFICATION

Model	XC-2381
Image Sensor	1/2.8" Sensor
Resolution	1920x1080 Pixels
Shuttle	1/25s ~ 1/50,000s
Lens	M12 3.7mm Cone type Pinhole Lens
Video Output	1080p@25fps AHD/TVI/CVI or Analog
Day & Night	Filter Change or True Day&Night (TDN)
Min. Illumination	0.05 Lux
S/N Ratio	>50 DB
Casing	Aluminum
W. Environment	-10° ~ +50°C, Non-Condensing
Power	12VDC, Max. 250mA
Dimension (mm)	25mm x 25mm x 10mm, 150g