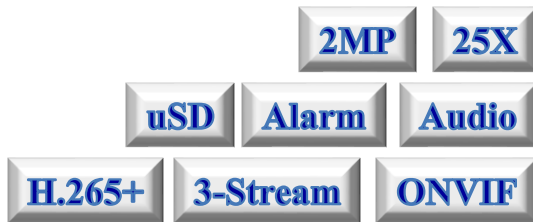


CNC435S25 – 2MP 25X Indoor IP Speedome



Speedome Function

- 3D Positioning
- Power-Off Memory
- Scheduled PTZ
- Park action

Features

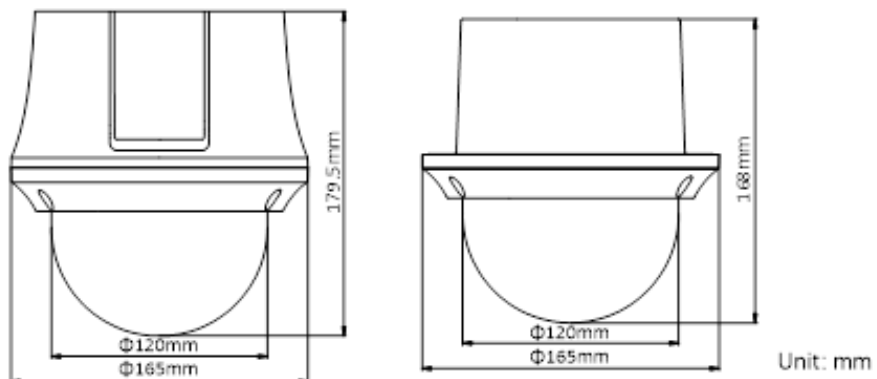
Camera

- **2.0 Megapixel 1920x1080 @25fps**
- **H.265+** High Profile
- **25x** Optical / 16x Digital Zoom
- Auto-Iris, Auto-Focus, TDN, 3-Stream
- **120dB WDR**
- 3D-DNR, ROI, HLC, BLC, Defog etc
- **EIS** (Electronic Image Stabilization)
- 0.05 Lux Color / 0.01 Lux BW
- Smart : Line Crossing, Intrusion, Object Removal, Unattended baggage

Hardware

- Indoor Surface / Recessed Ceiling
- 360° Pan 5°~90° Tilt
- 1~160°/s Pan Speed
- 1~120°/s Tilt Speed
- 300 Programmable Presets
- 8 Tour (up to 32 presets each)
- 4 Pattern (10 to 10 min each)
- μ SD card local storage up to 256GB
- 1 Audio In, 1 Audio Out
- 1 Alarm In, 1 Alarm Out
- Surge Protection
- 12VDC / POE+

Dimension



4000-Series IP Camera



SPECIFICATION

	Model	CNC-435-S-25
Camera	Image Sensor	1/2.8" progressive scan CMOS Sensor
	Effective Pixels	2230K Pixels
	Min. Illumination	0.05Lux Color / 0.01Lux BW (F1.6, AGC On)
	S/N Ratio	> 50dB
	Shuttle	1/25 ~ 1/100,100 @50Hz
	Day & Night	Filter Change or TDN (True Day & Night)
Lens	Focal Length	25X (4.8~120mm)
	Aperture	F1.6 ~ F3.5
Mechanism	Pan Speed	1~160°/s
	Tilt Speed	1~120°/s
	Presets	300
	Tour	8 Tour (Each with max. 32 Presets)
	Park/Schedule Action	Tour, Scan, Preset
Audio	In/Out	1 Line In / 1 Line Out
Alarm	In/Out	1 In / 1 Out
Network	Ethernet	10/100 Base-T, RS45 connector
	Max. Frame Rate	25fps @1920x1080 or 1280x960 or 1280x720
	Audio Compression	G.711ulaw / G.711alaw / G.726
	Simultaneous Log-in	20
	Tri-Stream	Support
	SD Storage	Manual / Alarm Rec, up to 256GB
	User/Host Level	Up to 32 Users, 3 Levels (Admin, Control, View)
General	Working Environment	-10° ~ +50°C, <90° Humidity (Non-Condensing)
	Protection	4KV surge protection, IK10
	Power	12VDC / POE (802.3at), Max. 18W
	Dimension	Φ165x180 (Surface) / Φ165x168 (Recessed), 2kg

* Specification maybe changed without prior notice