

XC-3332-SL – 1080p 3in1 Starlight IR Weatherproof Camera



1080p AHD/TVI/Analog

UTC

20m IR

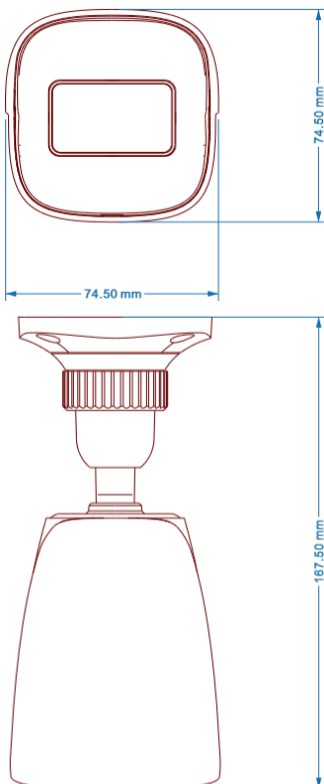
300m by RG6

Entry Level Starlight

Features

- 2 Megapixel CMOS Sensor
- Video output selectable :
1080p AHD or
1080p TVI or
700TVL Analog
- 2.8mm Fixed Lens
- IR LED Arrays, 0 Lux up to 20m
- 3D-DNR, **DWDR**, DSS, HLM
- TDN (True Day & Night)
- **UTC** OSD control
- English / Chinese OSD menu
- **Aluminum Casing, IP67**
- Suitable for Wall / Ceiling Mount

DIMENSION



SPECIFICATION

Model	XC-3332-SL
Image Sensor	1/2.9" 2MP CMOS Sensor
Resolution	1920x1080 Pixels
Shuttle	1/25s ~ 1/100,000s
Lens	M12 2.8mm Fixed Lens
Video Output	1080p@25fps AHD/TVI or Analog
Day & Night	Filter Change or True Day&Night (TDN)
Min. Illumination	0 Lux up to 20m
LEDs	2nos IR LED Arrays
S/N Ratio	>52 DB
Casing	Aluminum with Epoxy Powder Coating
W. Environment	-10° ~ +55°C, Non-Condensing
Power	12VDC, Max. 400mA
Dimension (mm)	74.5 x 74.5 x 167.5mm(L), 0.39kg