

DH-IPC-HFW1239S1-LED-S5

2MP Lite Full-color Fixed-focal Bullet Network Camera



- 2MP, 1/2.7" CMOS image sensor, low illuminance, high image definition
- Outputs max. 2MP (1920 × 1080) @25/30 fps
- H.265 codec, high compression rate, ultra-low bit rate
- Built-in LEDs, max LED distance: 15 m
- ROI, SMART H.264/H.265, flexible coding, applicable to various bandwidth and storage environments
- Rotation mode, DWDR, 3D DNR, HLC, BLC, digital watermarking, applicable to various monitoring scenes
- Abnormality detection: Motion detection, video tampering, network disconnection, IP conflict, illegal access
- 12V DC/PoE power support
- IP67 protection



System Overview

With features of simple installation, easy operation, and high performance-cost ratio, Dahua Entry Series camera is applicable to small and medium-sized scenes, such as homes/residences, small-sized retail stores, and other small and medium-sized enterprises.

Functions

Smart Codec

With advanced scene-adaptive rate control algorithm, Dahua smart encoding technology realizes the higher encoding efficiency than H.265 and H.264, provides high-quality video, and reduces the cost of storage and transmission.

Full-color

With high-performance sensor and large aperture lens, Dahua Full-color technology can display clear colorful image in the environment of ultra-low illuminance. With this photosensitivity technology, the camera can capture more available light, and display more colorful image details.

Motion Detection

When moving objects appear in the monitoring image, Dahua Motion Detection technology triggers alarm or records.

Image Flip

For narrow and long scenes, Dahua image flip technology flips the image by 90°/270° to realize better surveillance in rotation mode.

Protection (IP67,wide voltage)

IP67: The camera passes a series of strict test on dust and soak. It has dust-proof function, and the enclosure can works normal after soaking in 1 m deep water for 30 minutes.

Wide voltage: The camera allows ±30% input voltage tolerance (wide voltage range), and it is widely applied to outdoor environment with instable voltage.

Technical Specification

Camera

| | |
|--------------------------|--|
| Image Sensor | 1/2.7" 2Megapixel progressive CMOS |
| Effective Pixels | 1920 (H) × 1080 (V) |
| ROM | 16 MB |
| RAM | 64 MB |
| Scanning System | Progressive |
| Electronic Shutter Speed | Auto/Manual 1/3 s–1/100000 s |
| Min. Illumination | 0.005 Lux @F1.6 |
| LED Distance | 2.8 mm: 10 m (32.8ft) 3.6 mm: 15 m (49.2ft) |
| LED On/Off Control | Auto/Manual |
| LEDs Number | 1 |
| Pan/Tilt/Rotation Range | Horizontal: 0°–360° Vertical: 0°–90° Rotation: 0°–360° |

Lens

| | | | | | |
|----------------------|---|----------------------|---------------------|---------------------|--------------------|
| Lens Type | Fixed-focal | | | | |
| Mount Type | M12 | | | | |
| Focal Length | 2.8 mm 3.6 mm | | | | |
| Max. Aperture | 2.8 mm: F1.6 3.6 mm: F1.6 | | | | |
| Field of View | 2.8 mm: Pan 110° × Tilt 59° × Diagonal 132° 3.6 mm: Pan 91° × Tilt 48° × Diagonal 109° | | | | |
| Iris Type | Fixed | | | | |
| Close Focus Distance | 2.8 mm: 0.6 m (2.0 ft) 3.6 mm: 1.1 m (3.6 ft) | | | | |
| DORI Distance | Lens | Detect | Observe | Recognize | Identify |
| | 2.8 mm | 37.3 m (122.4 ft) | 14.9 m (48.9 ft) | 7.5 m (24.6 ft) | 3.7 m (12.1 ft) |
| | 3.6 mm | 53.3 m (174.9 ft) | 21.3 m (69.9 ft) | 10.7 m (35.1 ft) | 5.3 m (17.4 ft) |

Video

| | |
|-------------------|---|
| Video Compression | H.265; H.264; H.264H; H.264B; MJPEG |
| Smart Codec | Yes |
| Video Frame Rate | Main Stream: 1920 × 1080 (1 fps–25/30 fps) Sub stream: 704 × 576 (1 fps–25 fps) 704 × 480 (1 fps–30 fps) |
| Stream Capability | 2 streams |
| Resolution | 1080p (1920 × 1080); 1.3m (1280 × 960); 720p (1280 × 720); D1 (704 × 576/704 × 480); VGA (640 × 480); CIF (352 × 288/352 × 240) |
| Bit Rate Control | CBR/VBR |
| Video Bit Rate | H.264: 32 Kbps–6144 Kbps H.265: 12 Kbps–6400 Kbps |
| Day/Night | Color/B/W |

| | |
|-------------------------|--|
| BLC | Yes |
| HLC | Yes |
| WDR | DWDR |
| White Balance | Auto/natural/street lamp/outdoor/manual/regional custom |
| Gain Control | Auto/Manual |
| Noise Reduction | 3D DNR |
| Motion Detection | OFF/ON (4 areas, rectangular) |
| Region of Interest(RoI) | Yes (4 areas) |
| Smart Light | Yes |
| Image Rotation | 0°/90°/180°/270° (Support 90°/270° with 1080p resolution.) |
| Mirror | Yes |
| Privacy Masking | 4 areas |

Network

| | |
|---------------------|---|
| Network | RJ-45 (10/100 Base-T) |
| Protocol | IPv4; IPv6; HTTP; HTTPS; TCP; UDP; ARP; RTP; RTSP; SMTP; FTP; DHCP; DNS; NTP; DDNS ;Multicast |
| Interoperability | ONVIF (Profile S); CGI; P2P; Genetec |
| User/Host | 20 |
| Edge Storage | FTP; Dahua Cloud |
| Browser | IE Chrome Firefox |
| Management Software | Smart PSS; DSS; DMSS |
| Mobile Phone | IOS; Android |

Certification

| | |
|----------------|---|
| Certifications | CE-LVD: EN62368-1 CE-EMC: Electromagnetic Compatibility Directive 2014/30/EU FCC: 47 CFR FCC Part 15, Subpart B |
|----------------|---|

Power

| | |
|-------------------|----------------------|
| Power Supply | 12V DC/PoE (802.3af) |
| Power Consumption | < 4.8W |

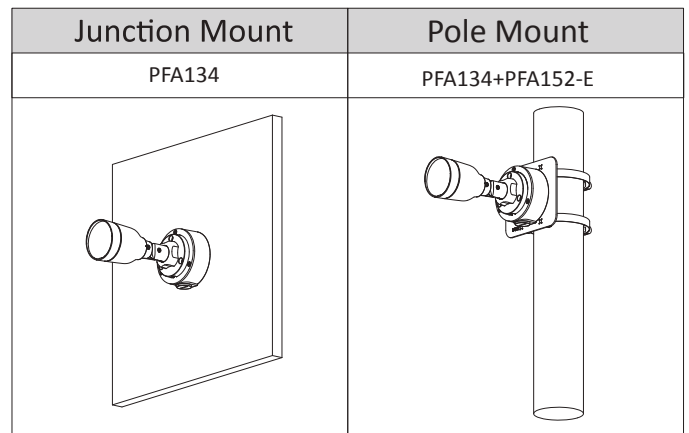
Environment

| | |
|----------------------|--|
| Operating Conditions | -40°C to +60°C (-40°F to +140°F)/less than ≤ 95% |
| Storage Temperature | -40°C to +60°C (-40°F to +140°F) |
| Ingress Protection | IP67 |

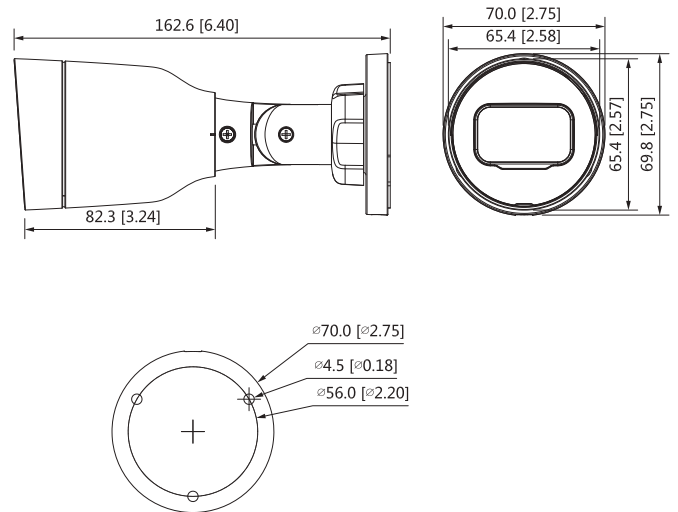
Structure

| | |
|--------------|----------------------------------|
| Casing | Metal + plastic |
| Dimensions | 162.6 mm × Φ70 mm (6.4" × Φ2.8") |
| Net Weight | 0.22 kg (0.4 lb) |
| Gross Weight | 0.34 kg (0.7 lb) |

| Ordering Information | | |
|------------------------|--------------------------|--|
| Type | Part Number | Description |
| 2MP Camera | DH-IPC-HFW1239S1-LEDP-S5 | 2MP Lite Full-colour Fixed-focal Bullet Network Camera,PAL |
| | DH-IPC-HFW1239S1-LEDN-S5 | 2MP ELite Full-colour Fixed-focal Bullet Network Camera,NTSC |
| Accessories (optional) | PFA134 | Junction Box |
| | PFA152-E | Pole Mount |
| | PFM321D | DC12V1A Power Adapter |
| | LR1002-1ET/1EC | Single-port Long Reach Ethernet over Coax Extender |
| | PFM900-E | Integrated Mount Tester |



Dimensions (mm[inch])



Accessories

Optional:



PFA134
Junction Box



PFA152-E
Pole Mount



PFM321D
DC12V1A Power
Adapter



LR1002-1ET/1EC
Single-port Long
Reach Ethernet over
Coax Extender



PFM900-E
Integrated Mount
Tester