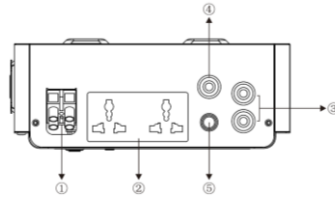
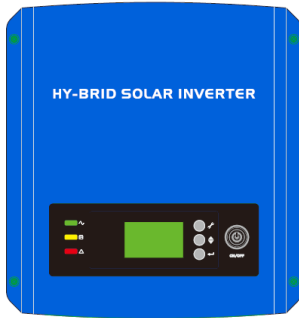


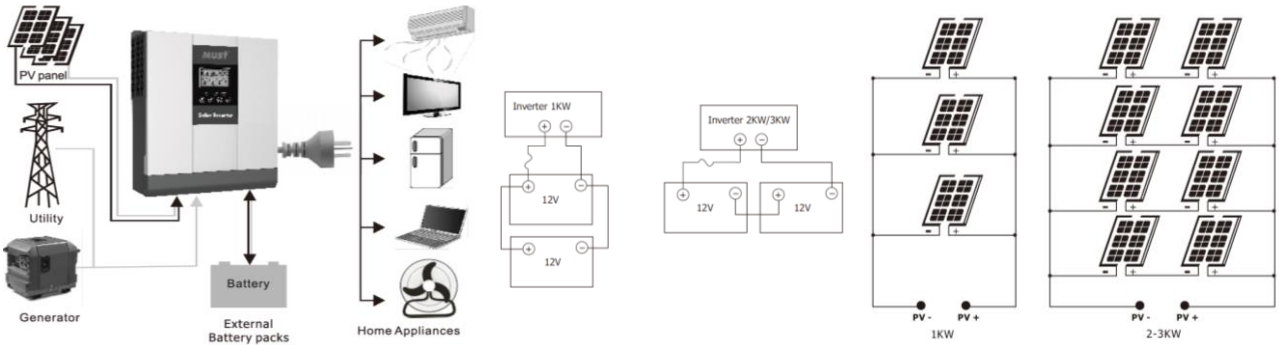
SUPS-850 – 800VA Solar UPS SUPS-1650 – 1.6KVA Solar UPS



1. PV Input Connector(Battery Terminal)
2. Output Socket(s)
3. DC Input Connector
4. AC Input Connector
5. Input Fuse

Features

- Inverter / Solar Charger / AC Charger / AVR / UPS 5in1
- Modified Sine Wave – cost effective for basic appliances eg fan, light.
- AC / Solar charger priority selectable
- **50A** PWM Solar Charge Controller
- Max. **800VA** / **1600VA** output
- LED Display for working status
- Overload, Short Circuit, Deep Discharge protection
- Fast Transfer Time : 15~20ms



Model	SUPS-850/12-PWM	SUPS-1650/24-PWM
System Voltage (Battery)	12VDC	24VDC
Rated Power	800W	1600W
AC Input	170 ~ 280VAC	
Max. Solar Input Power	1000W	2000W
Max. Solar Charge Current	50A	50A
Solar Input Voltage Range	18~25VDC	36~50VDC
Max. AC Charge Current	20A	10A
LCD Display	Output Voltage, Load Power, Battery Status, Battery Mode, Fault	
Standby Power Consumption	2W	
Working Temperature	-20~45°C, non Condensing	
Efficiency (Peak)	Inverter 93%, Charger 98%	
Dimension (mm), Weight	663 x 378 x 588, 2.9kg / 3.2kg	