

## XC-3313-MSL – 1080p 4in1 STARLIGHT Motorized IR Dome



1080p 4in1

5x Motorized Zoom

30m IR

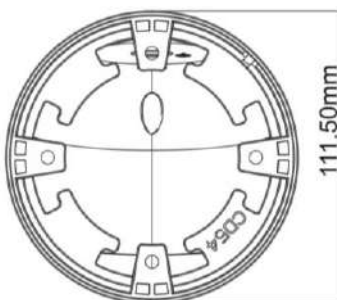
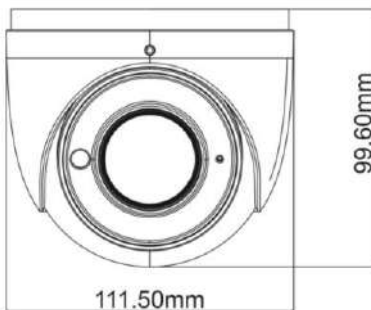
STARLIGHT

UTC

### Features

- 2 Megapixel **STARLIGHT** Sensor : 5x sensitivity than normal sensor
- Video output selectable :  
**1080p AHD** or **TVI** or **CVI**  
**700TVL Analog**
- **2.8~12mm Motorized AF** Lens
- 0 Lux up to 30m
- 3D-DNR, DSS, Defog etc
- TDN (True Day & Night)
- **UTC** & Joystick OSD control
- **Aluminum Casing** with ABS Base
- Suitable for Wall / Ceiling Mount
- Best performance <300m by RG6

### DIMENSION



### SPECIFICATION

Model	XC-3313-MSL
Image Sensor	1/2.8" 2.1MP STARVIS Sensor
Resolution	1920x1080 Pixels
Shuttle	1/25s ~ 1/100,000s
Lens	M14 2.8-12mm Motorized AF Lens
Video Output	1080p@25fps AHD/TVI/CVI or Analog
Day & Night	Filter Change or True Day&Night (TDN)
Min. Illumination	0 Lux up to 30m
LEDs	24nos 14u 850nm LED Arrays
S/N Ratio	>52 DB
Casing	Aluminum with Epoxy Powder Coating
W. Environment	-10° ~ +55°C, Non-Condensing
Power	12VDC, Max. 500mA
Dimension (mm)	100mm x 111.5mm(φ), 0.65kg

## XC3320-P2 – 1080p 3in1 IR Dome Camera



1080p AHD/TVI

UTC

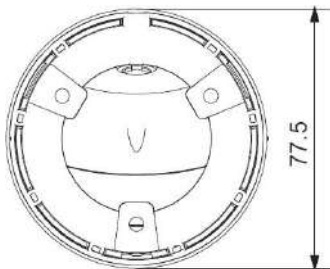
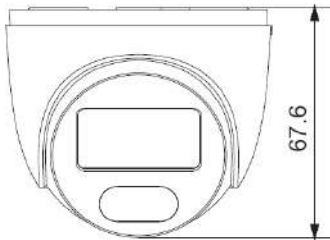
15m IR

300m by RG6

### Features

- 2 Megapixel CMOS Sensor
- Video output selectable :  
**1080p AHD** or  
**1080p TVI** or  
**700TVL Analog**
- 3.6mm Fixed Lens
- IR LEDs Array, 0 Lux up to 15m
- DNR, DWDR, SMART IR, BLC etc
- TDN (True Day & Night)
- **UTC** OSD control
- English / Chinese OSD menu
- Plastic Casing, IP66
- Suitable for Wall / Ceiling Mount

### DIMENSION



### SPECIFICATION

Model	XC-3320-P2
Image Sensor	1/3.2" 2MP CMOS Sensor
Resolution	1920x1080 Pixels
Shuttle	1/25s ~ 1/100,000s
Lens	M12 3.6mm Fixed Lens
Video Output	1080p@25fps AHD/TVI or Analog
Day & Night	Filter Change or True Day&Night (TDN)
Min. Illumination	0 Lux up to 15m
LEDs	850nm IR LED Array
S/N Ratio	>52 DB
Casing	Plastic
W. Environment	-10° ~ +55°C, Non-Condensing
Power	12VDC, <1W IR OFF, <3W IR On
Dimension (mm)	67.6 x 77.5mm(φ), 170g

## XC-3322-C – 2MP Dual illumination Turret Camera



**1080p AHD/TVI/Analog**

**20m IR**

**300m by RG6**

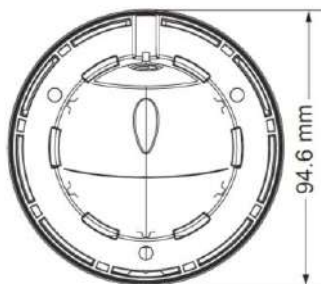
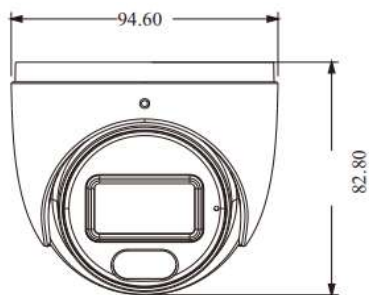
**UTC**

**Audio**

### Features

- 2 Megapixel CMOS Sensor
- Video output selectable :  
**1080p AHD** or  
**1080p TVI** or  
**1000 TVL Analog**
- **2.8mm** Fixed Lens
- **White Light** LED, up to 20m
- 2D/3D DNR, **DWDR**, Smart IR, BLC
- TDN (True Day & Night)
- **UTC** OSD control
- **Build in Mic**, Audio transmission through coaxial cable
- **Aluminum/Plastic Casing, IP67**

### DIMENSION



### SPECIFICATION

Model	XC-3322-C
Image Sensor	1/3" 2MP CMOS Sensor
Resolution	1920x1080 Pixels
Shuttle	1/25s ~ 1/100,000s
Lens	M12 2.8mm Fixed Lens
Video Output	1080p@25fps AHD/TVI or Analog
Day & Night	Filter Change or True Day&Night (TDN)
Min. Illumination	0 Lux up to 20m
LEDs	IR LEDs + White Light LEDs
S/N Ratio	>52 DB
Casing	Plastic/Metal
W. Environment	-10° ~ +40°C, Non-Condensing
Power	12VDC, < 1W LED OFF, < 4W LED ON
Dimension (mm)	Φ94.6mm x 82.8mm(H), 0.39kg

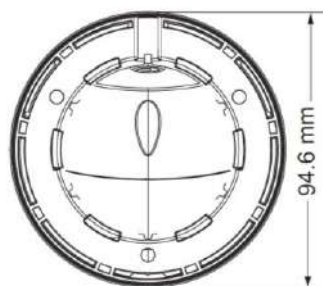
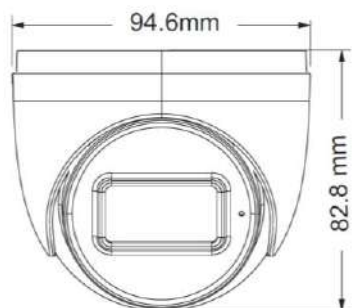
## XC-3322-SL-V3 – 1080p 3in1 Starlight IR Dome Camera



### Features

- 2 Megapixel CMOS Sensor
- Video output selectable :  
**1080p AHD** or  
**1080p TVI** or  
**700TVL Analog**
- 2.8mm Fixed Lens
- IR LED Arrays, 0 Lux up to 20m
- 3D-DNR, **DWDR**, DSS, HLM
- TDN (True Day & Night)
- **UTC** OSD control
- English / Chinese OSD menu
- **Aluminum/Plastic Casing, IP67**
- Suitable for Wall / Ceiling Mount

### DIMENSION



### SPECIFICATION

Model	XC-3322-SL-V3
Image Sensor	1/2.9" 2MP CMOS Sensor
Resolution	1920x1080 Pixels
Shuttle	1/25s ~ 1/100,000s
Lens	M12 2.8mm Fixed Lens
Video Output	1080p@25fps AHD/TVI or Analog
Day & Night	Filter Change or True Day&Night (TDN)
Min. Illumination	0 Lux up to 20m
LEDs	2nos IR LED Arrays
S/N Ratio	>52 DB
Casing	Aluminum with Epoxy Powder Coating
W. Environment	-10° ~ +55°C, Non-Condensing
Power	12VDC, Max. 300mA
Dimension (mm)	Φ94.6mm x 82.8mm(H), 0.2kg

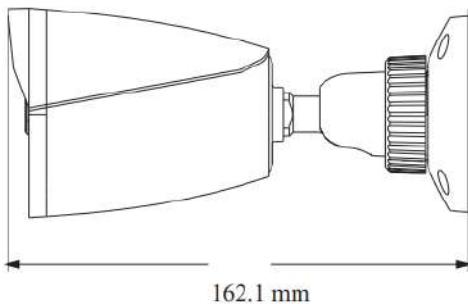
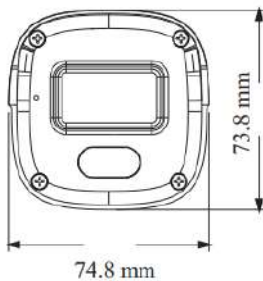
## XC-3332-C – 2MP Dual illumination Bullet Camera



### Features

- 2 Megapixel CMOS Sensor
- Video output selectable :
  - **1080p AHD** or
  - **1080p TVI** or
  - **1000TVL Analog**
- **2.8mm** Fixed Lens
- **White Light** up to 20m
- 2D/3D DNR, DWDR, SMART IR, BLC
- **Build in Mic**, Audio transmission through coaxial cable
- **UTC** OSD control
- Weatherproof, IP67

### DIMENSION



### SPECIFICATION

Model	XC-3332-C
Image Sensor	1/3" 2MP CMOS Sensor
Resolution	1920x1080 Pixels
Shuttle	1/25s ~ 1/100,000s
Lens	M12 2.8mm Fixed Lens
Video Output	1080p@25fps AHD/TVI or Analog
Day & Night	Filter Change or True Day&Night (TDN)
Min. Illumination	0 Lux up to 20m
LEDs	IR LEDs + White Light LEDs
S/N Ratio	>52 DB
Casing	Plastic/Metal
W. Environment	-10° ~ +40°C, Non-Condensing
Power	12VDC, <1W LED OFF, <4W LED On
Dimension (mm)	74.8 x 73.8 x 162.1mm, 0.25kg

## XC-3335-MSL – 1080p 4in1 STARLIGHT Motorized IR Bullet



**1080p 4in1**

**5x Motorized Zoom**

**50m IR**

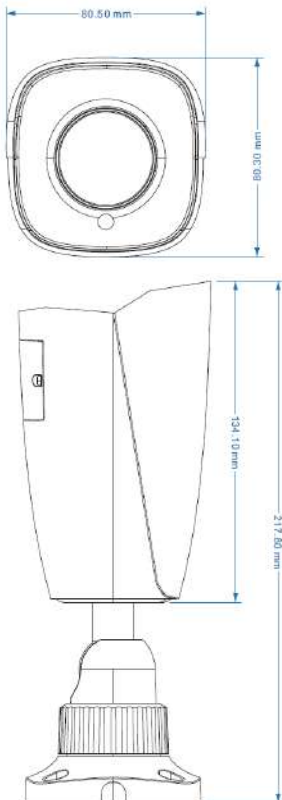
**STARLIGHT**

**UTC**

### Features

- 2 Megapixel **STARLIGHT** Sensor : 5x sensitivity than normal sensor
- Video output selectable :  
**1080p AHD** or **TVI** or **CVI**  
**700TVL Analog**
- **2.8~12mm Motorized AF** Lens
- 0 Lux up to 50m
- 3D-DNR, DSS, Defog etc
- TDN (True Day & Night)
- **UTC** & Joystick OSD control
- **Aluminum Casing**
- Suitable for Wall / Ceiling Mount
- Best performance <300m by RG6

### DIMENSION



### SPECIFICATION

Model	XC-3335-MSL
Image Sensor	1/2.8" 2.1MP STARVIS Sensor
Resolution	1920x1080 Pixels
Shuttle	1/25s ~ 1/100,000s
Lens	M14 2.8-12mm Motorized AF Lens
Video Output	1080p@25fps AHD/TVI/CVI or Analog
Day & Night	Filter Change or True Day&Night (TDN)
Min. Illumination	0 Lux up to 50m
LEDs	850nm LED Arrays
S/N Ratio	>52 DB
Casing	Aluminum with Epoxy Powder Coating
W. Environment	-10° ~ +55°C, Non-Condensing
Power	12VDC, Max. 500mA
Dimension (mm)	80.5 x 80.3 x 218mm(L), 500g

## XC-3613-M – 5MP Motorized 3in1 IR Dome Camera



**5MP AHD/TVI/Analog**

**UTC**

**30m IR**

**300m by RG6**

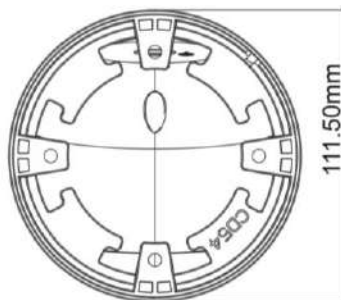
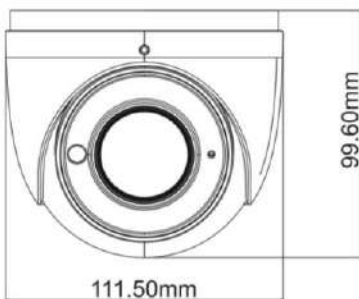
**Motorized**

**IP66**

### Features

- 5MP Megapixel CMOS Sensor
- Video output selectable :
  - 5MP AHD/TVI @20fps**
  - 4MP/1080p AHD/TVI @25fps**
  - 700TVL Analog @25fps**
- **2.8-12mm** Motorized Auto Focus
- IR LED, 0 Lux up to **30m**
- 3D-DNR, DWDR, DSS
- TDN (True Day & Night)
- **UTC** OSD control (< 100m)
- English / Chinese OSD menu
- **Aluminum Casing, IP66**
- Suitable for Wall / Ceiling Mount

### DIMENSION



### SPECIFICATION

Model	XC-3613-M
Image Sensor	1/2.9" 2MP CMOS Sensor
Resolution	2560x1936 Pixels
Shuttle	1/25s ~ 1/100,000s
Lens	2.8-12mm Motorized Zoom Auto Focus
Video Output	5MP@20fps AHD/TVI or Analog
Day & Night	Filter Change or True Day&Night (TDN)
Min. Illumination	0 Lux up to 30m
LEDs	850nm IR LED Arrays
S/N Ratio	>52 DB
Casing	Aluminum with Epoxy Powder Coating
W. Environment	-10° ~ +55°C, Non-Condensing
Power	12VDC, Max. 500mA
Dimension (mm)	111.5mm(φ) x 111.5mm(H), 0.65kg

## XC-3621-C – 5MP Dual illumination Turret Camera



5MP AHD/TVI/Analog

20m IR

300m by RG6

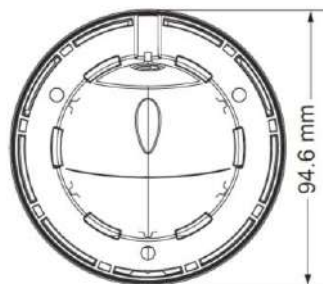
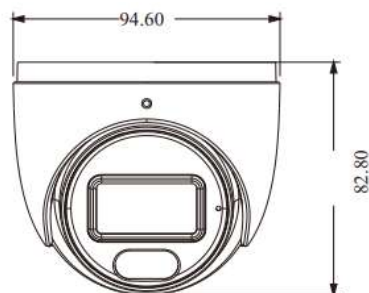
UTC

Audio

### Features

- 5 Megapixel CMOS Sensor
- Video output selectable :  
**5mp AHD** or  
**5MP TVI** or  
**1500 TVL Analog**
- **2.8mm** Fixed Lens
- **White Light** LED, up to 20m
- 2D/3D DNR, **DWDR**, Smart IR, BLC
- TDN (True Day & Night)
- **UTC** OSD control
- **Build in Mic**, Audio transmission through coaxial cable
- **Aluminum/Plastic Casing, IP67**

### DIMENSION



### SPECIFICATION

Model	XC-3621-C
Image Sensor	1/2.5" 5MP CMOS Sensor
Resolution	2944x1656 Pixels
Shuttle	1/25s ~ 1/100,000s
Lens	M12 2.8mm Fixed Lens
Video Output	5MP@20fps AHD/TVI or Analog
Day & Night	Filter Change or True Day&Night (TDN)
Min. Illumination	0 Lux up to 20m (White Light)
LEDs	IR LEDs + White Light LEDs
S/N Ratio	>52 DB
Casing	Plastic/Metal
W. Environment	-10° ~ +40°C, Non-Condensing
Power	12VDC, < 1W LED OFF, < 4W LED ON
Dimension (mm)	Φ94.6mm x 82.8mm(H), 0.39kg

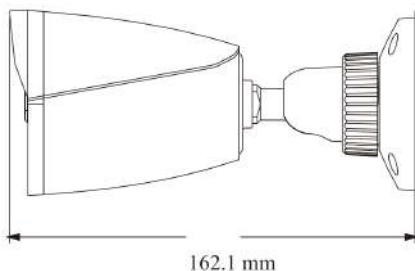
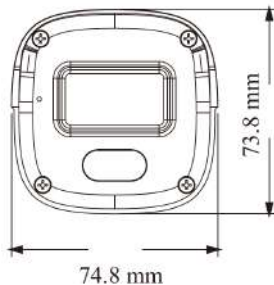
## XC-3631-C – 5MP Dual Illumination Bullet Camera



### Features

- 5 Megapixel CMOS Sensor
- Video output selectable :
  - **5MP AHD or**
  - **5MP TVI or**
  - **1500 TVL Analog**
- **2.8mm** Fixed Lens
- **White Light** LED, up to 20m
- 2D/3D DNR, DWDR, SMART IR, BLC
- **Build in Mic**, Audio transmission through coaxial cable
- **UTC** OSD control
- **Weatherproof, IP67**

### DIMENSION



### SPECIFICATION

Model	XC-3631-C
Image Sensor	1/2.5" 5MP CMOS Sensor
Resolution	2944 x 1656
Shuttle	1/50s ~ 1/100,000s
Lens	M12 2.8mm Fixed Lens
Video Output	5MP@20fps AHD/TVI or Analog
Day & Night	Filter Change or True Day&Night (TDN)
Min. Illumination	0 Lux 20~30m
LEDs	IR LEDs + White Light LEDs
S/N Ratio	>52 DB
Casing	Plastic/Metal
W. Environment	-10° ~ +40°C, Non-Condensing
Power	12VDC, <1W LED OFF, <4W LED On
Dimension (mm)	73.8 x 74.8 x 162.1mm, 0.25kg

## XC-3632-B – 5MP 3in1 IR Weatherproof Camera



**5MP AHD/TVI/Analog**

**UTC**

**20m IR**

**300m by RG6**

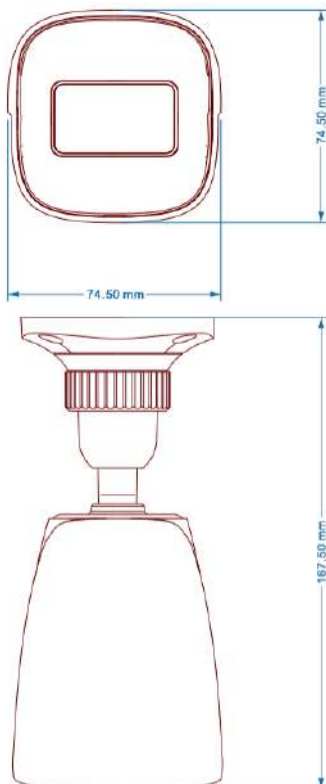
**IP66**

**DWDR**

### Features

- 5MP Megapixel CMOS Sensor
- Video output selectable :
  - 5MP AHD/TVI @20fps**
  - 4MP/1080p AHD/TVI @25fps**
  - 700TVL Analog @25fps**
- 3.6mm Fixed Lens
- IR LED, 0 Lux up to 20m
- 3D-DNR, DWDR, DSS, HLM
- TDN (True Day & Night)
- **UTC** OSD control
- English / Chinese OSD menu
- **Aluminum Casing, IP66**
- Suitable for Wall / Ceiling Mount

### DIMENSION



### SPECIFICATION

Model	XC-3632-B
Image Sensor	1/2.9" 5MP CMOS Sensor
Resolution	2560 x 1936 Pixels
Shuttle	1/25s ~ 1/100,000s
Lens	M12 3.6mm Fixed Lens
Video Output	5MP@20fps AHD/TVI or Analog
Day & Night	Filter Change or True Day&Night (TDN)
Min. Illumination	0 Lux up to 20m
LEDs	2nos 850nm IR LED ARRAYS
S/N Ratio	>52 DB
Casing	Aluminum with Epoxy Powder Coating
W. Environment	-10° ~ +55°C, Non-Condensing
Power	12VDC, Max. 400mA
Dimension (mm)	74.5 x 74.5 x 167.5mm(L), 0.39kg

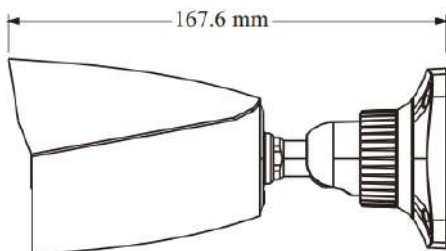
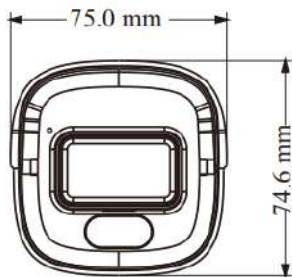
## XC-3632-C – 5MP Dual Illumination Bullet Camera



### Features

- 5 Megapixel CMOS Sensor
- Video output selectable :  
**5MP AHD or**  
**5MP TVI or**  
**1500 TVL Analog**
- **2.8mm** Fixed Lens
- **White Light** LED, up to 20m
- 2D/3D DNR, DWDR, SMART IR, BLC
- **Build in Mic**, Audio transmission through coaxial cable
- **UTC** OSD control
- **Weatherproof, IP67**

### DIMENSION



### SPECIFICATION

Model	XC-3632-C
Image Sensor	1/2.5" 5MP CMOS Sensor
Resolution	2944 x 1656
Shuttle	1/50s ~ 1/100,000s
Lens	M12 2.8mm Fixed Lens
Video Output	5MP@25fps AHD/TVI or Analog
Day & Night	Filter Change or True Day&Night (TDN)
Min. Illumination	0 Lux 20~30m
LEDs	IR LEDs + White Light LEDs
S/N Ratio	>52 DB
Casing	Plastic/Metal
W. Environment	-30° ~ +50°C, Non-Condensing
Power	12VDC, <1W LED OFF, <4W LED On
Dimension (mm)	75 x 74.6 x 167.6mm, 0.4kg

## XC-3633-M – 5MP Motorized 3in1 IR Weatherproof Camera



**5MP AHD/TVI/Analog**

**UTC**

**30m IR**

**300m by RG6**

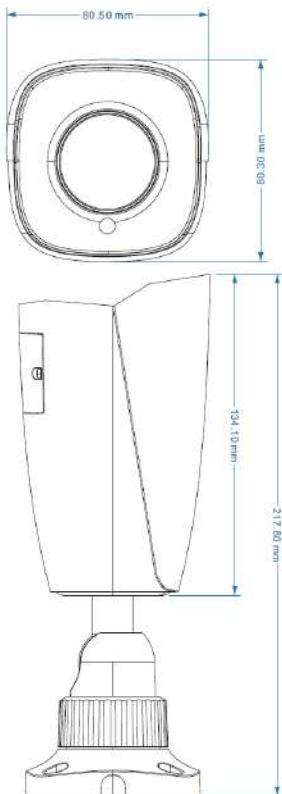
**Motorized**

**IP66**

### Features

- 5MP Megapixel CMOS Sensor
- Video output selectable :
  - 5MP AHD/TVI @20fps**
  - 4MP/1080p AHD/TVI @25fps**
  - 700TVL Analog @25fps**
- **2.8-12mm** Motorized Auto Focus
- IR LED, 0 Lux up to **30m**
- 3D-DNR, DWDR, DSS
- TDN (True Day & Night)
- **UTC** OSD control (< 100m)
- English / Chinese OSD menu
- **Aluminum Casing, IP66**
- Suitable for Wall / Ceiling Mount

### DIMENSION



### SPECIFICATION

Model	XC-3633-M
Image Sensor	1/2.9" 2MP CMOS Sensor
Resolution	2560x1936 Pixels
Shuttle	1/25s ~ 1/100,000s
Lens	2.8-12mm Motorized Zoom Auto Focus
Video Output	5MP@20fps AHD/TVI or Analog
Day & Night	Filter Change or True Day&Night (TDN)
Min. Illumination	0 Lux up to 30m
LEDs	850nm IR LED Arrays
S/N Ratio	>52 DB
Casing	Aluminum with Epoxy Powder Coating
W. Environment	-10° ~ +55°C, Non-Condensing
Power	12VDC, Max. 500mA
Dimension (mm)	80.5 x 80.3 x 218mm(L), 0.5kg